



VANDAL RESISTANT PHONE

Product Model: JWAT137

Defend Grade: IP65

Communication System: IP

Material: Stainless Steel 304

Color: stainless steel (Optional)



Technical Parameters

Protocol	SIP2.0(RFC-3261)
Audio Amplifier	2.4W
Volume Control	Adjustable
Support	RTP
Codec	G.729、G.723、G.711、G.722、G.726
Power Supply	12V (±15%) / 1A DC or PoE
LAN	10/100BASE-TX s Auto-MDIX, RJ-45
WAN	10/100BASE-TX s Auto-MDIX, RJ-45
Ringer Volume	≤80dB(A)
Corrosion Grade	WF1
Ambient Temperature	-40~+70℃
Atmospheric Pressure	80~110KPa
Relative Humidity	≤95%
Anti-vandalism Level	IK10
Installation	Wall-mounted

Application

The stainless steel phone can be used in a variety of applications such as in jails, hospitals, oil rigs, platforms, dormitories, airports, control rooms, sally ports, schools, plant, gate and entryways, PREA phone, or waiting rooms etc.



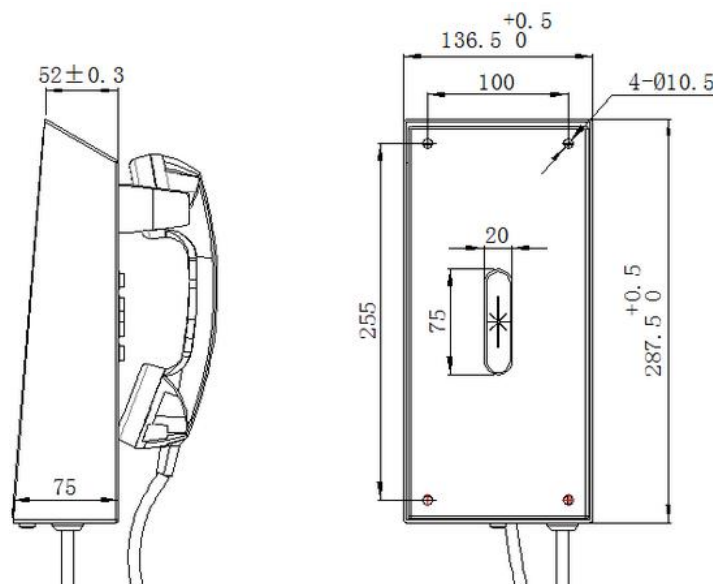


Features

1. 304 stainless steel material shell, high mechanical strength and strong impact resistance.
2. Heavy Duty handset with hearing Aid compatible receiver, Noise canceling microphone available.
3. Metal Keypad with volume control button.
4. The sensitivity of the speaker and microphone can be adjusted; optional voice coding methods such as G.729, G.723, G.711, G.722, G.726; Support 2 lines SIP, SIP 2.0 (RFC3261).
5. IP Protocols: IPv4, TCP, UDP, TFTP, RTP, RTCP, DHCP, SIP.
6. Weather proof protection to IP65
7. Wall mounted, Simple installation.
8. Multiple housings and colors.
9. Self-made telephone spare part available.
10. CE, FCC, RoHS, ISO9001 compliant.



Product Dimensions



Package

Unit size: 287.5*136.5*75 (mm)

Carton size: 530*350*350 (mm)

Packaging materials: Pearl cotton, Carton

Net weight: 3 KG

Gross weight: 3.5 KG



Service and Support

Under normal use, non-human damage, free **THREE YEAR WARRANTY**.



86-574-58223619



Sales@joiwo.com



<https://www.joiwo.com>



No. 8 Middle Road Guoxiang Bridge Lanjiang Street Yuyao Zhejiang China