



WATERPROOF TELEPHONE

Product Model: JWAT920

Defend Grade: IP66

Communication System: IP

Material: Aluminum alloy

Color: Yellow (customized)



Technical Parameters

Protocol	SIP2.0(RFC-3261)
Audio Amplifier	2.4W
Handsfree Speaker	2W
Volume Control	Adjustable
Support	RTP
Codec	G.729、G.723、G.711、G.722、G.726
Power Supply	12V (±15%) / 1A DC or PoE
LAN	10/100BASE-TX s Auto-MDIX, RJ-45
WAN	10/100BASE-TX s Auto-MDIX, RJ-45
Weight	3.8KG
Installation	Wall-mounted



Application

This Weatherproof Telephone Is Very Popular For Tunnels, Mining, Marine, Underground, Metro Stations, Railway Platform, Highway Side, Hotels, Parking Lots, Steel Plants, Chemical Plants, Power Plants And Related Heavy Duty Industrial Application, Etc.



86-574-58223619



Sales@joiwo.com



<https://www.joiwo.com>



No. 8 Middle Road Guoxiang Bridge Lanjiang Street Yuyao Zhejiang China

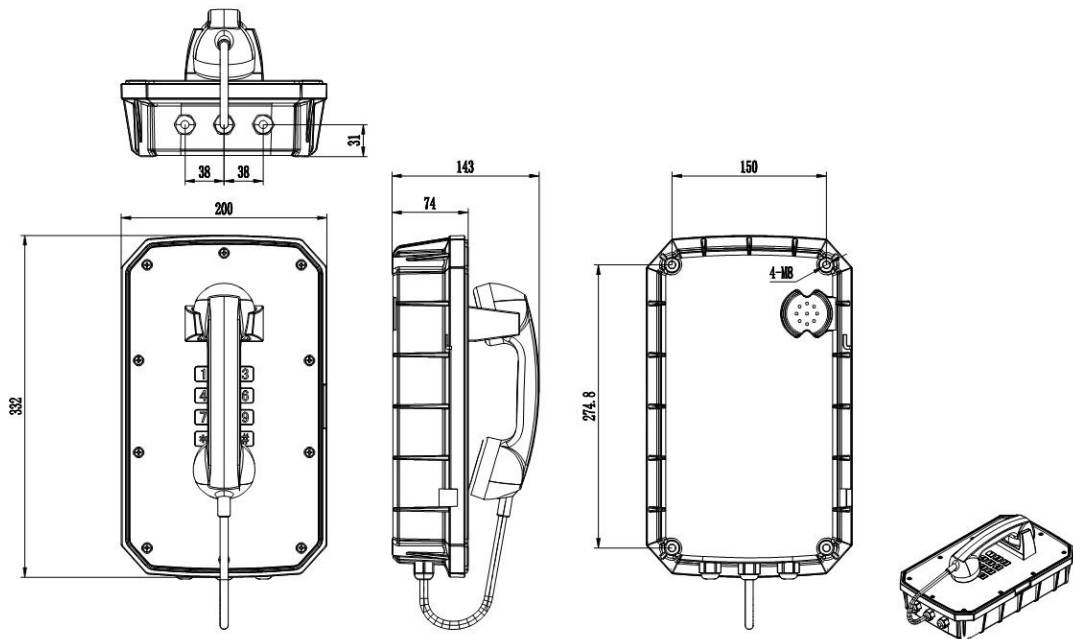


Features

1. Aluminum alloy die-casting shell, high mechanical strength and strong impact resistance.
2. Heavy Duty handset with hearing Aid compatible receiver, Noise canceling microphone.
3. Vandal Resistant metal keypad.
4. Support SIP 2.0 (RFC3261) ,RFC Protocol.
5. Audio Codes:G.729、 G.723、 G.711、 G.722、 G.726,etc.
6. Supports full duplex.
7. Weather proof protection to IP66-IP67.
8. Wall mounted, Simple installation.
9. Multiple housings and colors.
10. Self-made telephone spare part available.
11. CE, FCC, RoHS, ISO9001 compliant.



Product Dimensions



Package

Unit size: 332*200*143 (mm)

Carton size: 200*300*440 (mm)

Packaging materials: Pearl cotton, Carton

Net weight: 3.8 KG

Gross weight: 4 KG



Service and Support

Under normal use, non-human damage, free **THREE YEAR WARRANTY**.