



WATERPROOF IP TELEPHONE

Product Model: JWAT903

Defend Grade: IP67

Communication System: IP

Material: Aluminum alloy

Color: Yellow (customized)



Technical Parameters

Signal Voltage	100-230VAC
Standby Work Current	≤0.2A
Frequency Response	250~3000 Hz
Ringer Volume	≤80dB(A)
Amplified Output Power	10~25W
Corrosion Grade	WF1
Ambient Temperature	-40~+60℃
Atmospheric Pressure	80~110KPa
Relative Humidity	≤95%
Lead Hole	3-PG11
Installation	Wall-mounted



Application

This Weatherproof Telephone Is Very Popular For Tunnels, Mining, Marine, Underground, Metro Stations, Railway Platform, Highway Side, Hotels, Parking Lots, Steel Plants, Chemical Plants, Power Plants And Related Heavy Duty Industrial Application, Etc.



86-574-58223619



Sales@joiwo.com



<https://www.joiwo.com>



No. 8 Middle Road Guoxiang Bridge Lanjiang Street Yuyao Zhejiang China

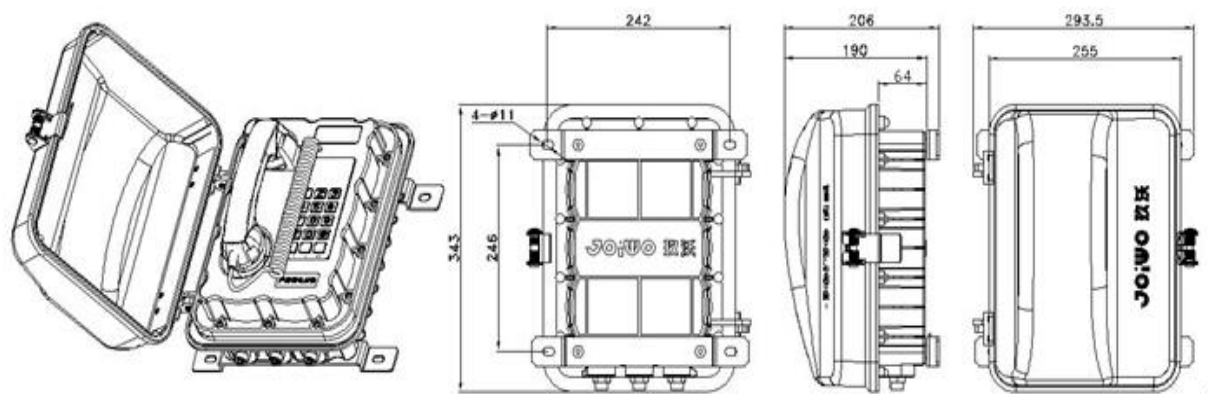


Features

1. Aluminum alloy die-casting shell, high mechanical strength and strong impact resistance.
2. Support 2 lines SIP, SIP 2.0 (RFC3261).
3. Audio Codes:G.711, G.722, G.729.
4. IP Protocols:IPv4, TCP, UDP, TFTP, RTP, RTCP, DHCP, SIP.
5. Echo cancellation code:G.167/G.168.
6. Supports full duplex.
7. WAN/LAN: support Bridge mode.
8. Support DHCP get IP on WAN port.
9. Support PPPoE for xDSL.
10. Support DHCP get IP on WAN port.
11. Heavy Duty handset with hearing Aid compatible receiver, Noise canceling microphone.
12. Weather proof protection to IP66-IP67.
13. Waterproof zinc alloy Keypad.
14. Wall mounted, Simple installation.
15. Connection: RJ11 screw terminal pair cable.
16. Sound level of ringing:over 80dB(A).
17. Multiple housings and colors.
18. Self-made telephone spare part available.
19. CE, FCC, RoHS, ISO9001 compliant.



Product Dimensions



Package

Unit size: 343*294*206 (mm)

Carton size: 440*320*270 (mm)

Packaging materials: Pearl cotton, Carton

Net weight:7 KG



86-574-58223619



Sales@joiwo.com



<https://www.joiwo.com>



No. 8 Middle Road Guoxiang Bridge Lanjiang Street Yuyao Zhejiang China

Gross weight:7.5 KG

Service and Support

Under normal use, non-human damage, free **THREE YEAR WARRANTY**.

