



## DESKTOP PHONE

Product Model: JWDT662

Defend Grade:IP65

Communication System:IP

Material: Stainless Steel 304

Color: stainless steel (Optional)



### Technical Parameters

Protocol	SIP2.0(RFC-3261)
Audio Amplifier	2.4W
Volume Control	Adjustable
Support	RTP
Codec	G.729、G.723、G.711、G.722、G.726
Power Supply	12V (±15%) / 1A DC or PoE
LAN	10/100BASE-TX s Auto-MDIX, RJ-45
WAN	10/100BASE-TX s Auto-MDIX, RJ-45
Installation	Desktop
Weight	3.5KG



### Application

This Master station is applicable to the main control room of the command and dispatch system such as control room and dispatching room.



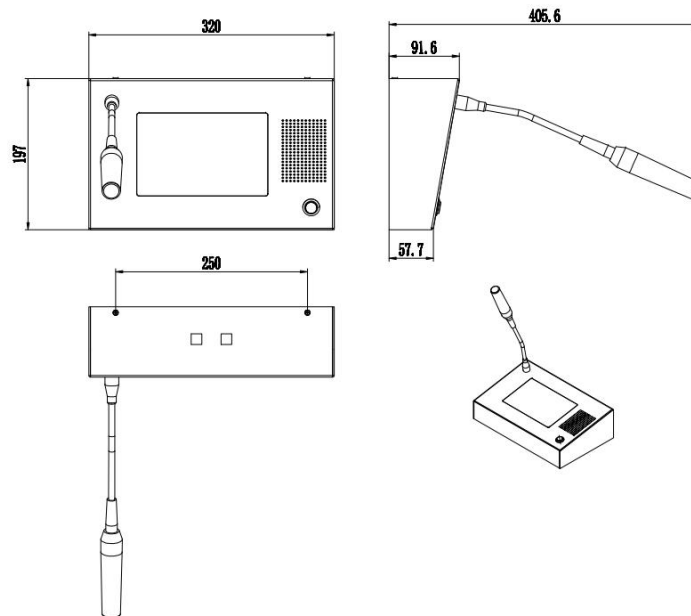


## Features

1. Support 2 lines SIP, SIP 2.0 (RFC3261).
2. With 7-inch touch screen, virtual keyboard
3. Audio Codes:G.729、 G.723、 G.711、 G.722、 G.726,etc.
4. 304 stainless steel material shell, high mechanical strength and strong impact resistance.
5. Gooseneck Mike, free hands when talking.
6. Weather proof protection to IP65.
7. Register to the server and make a call based on the server's dialing rules. Press the call button to pop up the dialing interface, enter the number you want to dial and press the dial button to make a call.
8. Answer the call: When there is an incoming call, press the call button to answer the call.
9. When the call ends, press the call button again to end the call or the busy tone automatically hangs up.
10. Self-made telephone spare part available.
11. CE, FCC, RoHS, ISO9001 compliant.



## Product Dimensions



## Package

Unit size: 320\*197\*32 (mm)

Carton size: 200\*300\*440 (mm)

Packaging materials: Pearl cotton, Carton

Net weight: 3.5KG

Gross weight: 4KG



## Service and Support

Under normal use, non-human damage, free **THREE YEAR WARRANTY**.