



## Intercom Video Phone

Product Model: JWAT410

Defend Grade: IP66

Communication System: Analogue

Material: Aluminium Alloy

Color: Orange (Optional)



### Technical Parameters

Voltage	DC 5V/1A
Standby Work Current	≤300mA
Frequency Response	250~3000 Hz
Ringer Volume	≥85dB
Defend Grade	IP66
Corrosion Grade	WF2
Ambient Temperature	-20~+60℃
Atmospheric Pressure	80~110KPa
Relative Humidity	≤95%
Lead hole	3-PG11
Weight	5.5kg
Installation	Wall-mounted



### Application

The weatherproof intercom phone is usually used for Tunnels, Mining, Marine, Underground, Metro stations, Railway platform, Highway side, Hotels, Parking lots, Steel Plants, Chemical plants, Power plants and related heavy duty industrial application, etc.



86-574-58223619



Sales@joiwo.com



<https://www.joiwo.com>



No. 8 Middle Road Guoxiang Bridge Lanjiang Street Yuyao Zhejiang China

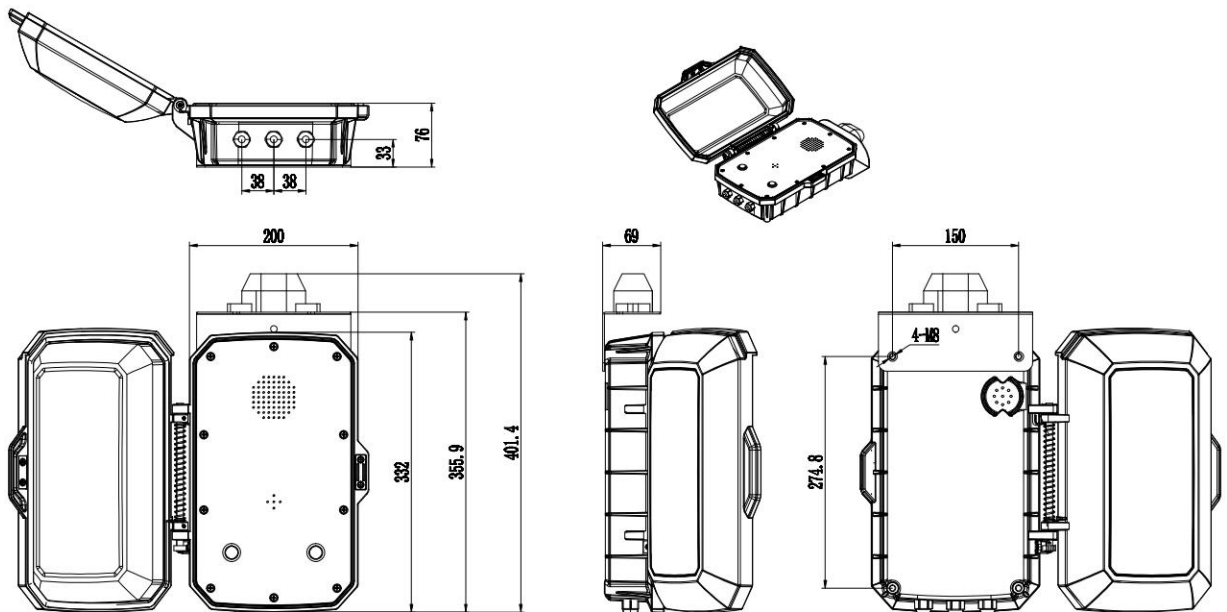


## Features

1. Standard Analogue phone. SIP version available.
2. Robust housing, Aluminum alloy die-casting body.
3. Rolled steel face-plate with epoxy powder coated providing complete protection against dust and moisture.
4. Vandal resistant stainless steel buttons.
5. Lamp on the top is available. Once call is coming, the lamp will flash to warn.
6. There are 2 buttons, one is for emergency call, and the other is for answering and ending the call.
7. With external power supply, sound level is more than 80db.
8. Self-made telephone spare part available.
9. CE, FCC, RoHS, ISO9001 compliant.



## Product Dimensions



## Package

Unit size:401\*200\*74(mm)

size:440\*320\*270 (mm)

Packaging materials: Pearl cotton, Carton

Net weight: 5.5KG

Gross weight: 6 KG



## Service and Support

Under normal use, non-human damage, free **THREE YEAR WARRANTY**.