



## CALLER ID PHONE

Product Model: JWAT924

Defend Grade:IP65

Communication System: IP

Material: Stainless Steel 304

Color:stainless steel (Optional)



### Technical Parameters

Protocol	SIP2.0(RFC-3261)
Audio Amplifier	2.4W
Volume Control	Adjustable
Support	RTP
Codec	G.729、G.723、G.711、G.722、G.726
Power Supply	12V (±15%) / 1A DC or PoE
LAN	10/100BASE-TX s Auto-MDIX, RJ-45
WAN	10/100BASE-TX s Auto-MDIX, RJ-45
Installation	Wall-mounted
Weight	3.0KG



### Application

The stainless steel phone can be used in a variety of applications such as in jails, hospitals, oil rigs, platforms, dormitories, airports, control rooms, sally ports, schools, plant, gate and entryways, PREA phone, or waiting rooms etc.



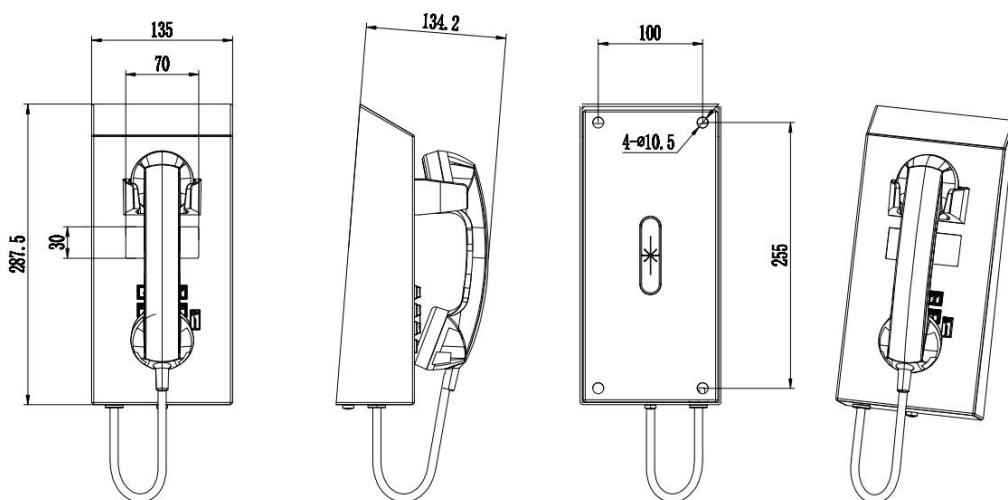


## Features

1. 304 stainless steel material shell, high mechanical strength and strong impact resistance.
2. Heavy Duty handset with hearing Aid compatible receiver, Noise canceling microphone available.
3. Metal Keypad with volume control button.
4. With display, can display the outgoing number, call duration, etc.
5. The sensitivity of the speaker and microphone can be adjusted; optional voice coding methods such as G.729, G.723, G.711, G.722, G.726; Support 2 lines SIP, SIP 2.0 (RFC3261).
6. IP Protocols: IPv4, TCP, UDP, TFTP, RTP, RTCP, DHCP, SIP.
7. Weather proof protection to IP65
8. Wall mounted, Simple installation.
9. Multiple housings and colors.
10. Self-made telephone spare part available.
11. CE, FCC, RoHS, ISO9001 compliant.



## Product Dimensions



## Package

Unit size: 287.5\*135\*134.2 (mm)

size: 487\*337\*330 (mm)

Packaging materials: Pearl cotton, Carton

Net weight: 3.5KG

Gross weight: 3.7KG



## Service and Support

Under normal use, non-human damage, free **THREE YEAR WARRANTY**.