



WATERPROOF TELEPHONE

Product Model: JWAT922

Defend Grade: IP65

Communication System: IP

Material: Rolled Steel

Color: Yellow (customized)



Technical Parameters

Protocol	SIP2.0(RFC-3261)
Audio Amplifier	2.4W
Volume Control	Adjustable
Support	RTP
Codec	G.729、G.723、G.711、G.722、G.726
Power Supply	AC220V or PoE
LAN	10/100BASE-TX s Auto-MDIX, RJ-45
WAN	10/100BASE-TX s Auto-MDIX, RJ-45
Weight	5.5KG
Installation	Wall-mounted
Defend Grade	IP65



Application

This Waterproof Telephone Is Very Popular For Tunnels, Mining, Marine, Underground, Metro Stations, Railway Platform, Highway Side, Hotels, Parking Lots, Steel Plants, Chemical Plants, Power Plants And Related Heavy Duty Industrial Application, Etc.

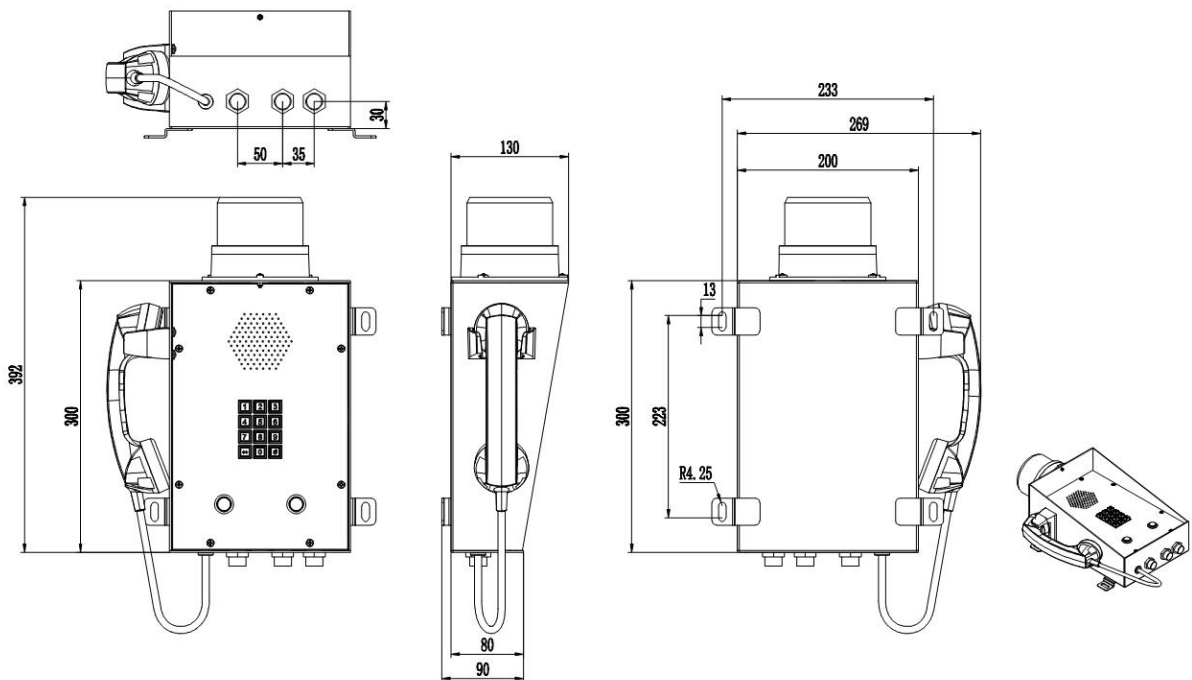


Features

1. Vandal proof rolled steel material.
2. Heavy Duty handset with hearing Aid compatible receiver, Noise canceling microphone.
3. Vandal resistant zinc alloy keypad.
4. With LED lamp fixed on the top, When there is a incoming call, the lamp will flashing.
5. The sensitivity of the speaker and microphone can be adjusted.
6. Support one-button direct call dispatcher function; 2 function keys can be set arbitrarily.
7. Audio Codes:G.729、G.723、G.711、G.722、G.726,etc.
8. Support SIP 2.0 (RFC3261) ,RFC Protocol.
- 9.Wall mounted, Simple installation.
- 10.Self-made telephone spare part available.
- 11.CE, FCC, RoHS, ISO9001 compliant.



Product Dimensions



Package

Unit size: 300*270*130 (mm)

Packaging materials: Pearl cotton, Carton

Net weight: 5.5 KG

Gross weight: 6 KG

Service and Support

Under normal use, non-human damage, free **THREE YEAR WARRANTY**.