



HANDSFREE PHONE

Product Model: JWAT409

Defend Grade:IP65

Communication System: Analogue/IP

Material: Aluminium Alloy

Color: Stainless Steel (Optional)



Technical Parameters

Voltage	DC5V1A
Standby Work Current	≤300MA
Frequency Response	200~10000 Hz
Ringer Level	≥80dB(A)
Hands-free call loudness	≥75dB
Feed voltage	DC48V
Corrosion Grade	WF1
Ambient Temperature	-20~+60℃
Atmospheric Pressure	80~110KPa
Relative Humidity	≤95%
Dial level	-5 ~ -7
Installation	Flush mounting



Application

The Intercom usually used in Clean room, Laboratory, Hospital Isolation areas, Sterile areas, and other restricted environments. Also available for Elevators/Lifts, Parking lots, Prisons, Railway/Metro platforms, Hospitals, Police stations, ATM machines, Stadiums, Campus, Shopping malls, Doors, Hotels, outside building etc.



86-574-58223619



Sales@joiwo.com



<https://www.joiwo.com>



No. 8 Middle Road Guoxiang Bridge Lanjiang Street Yuyao Zhejiang China

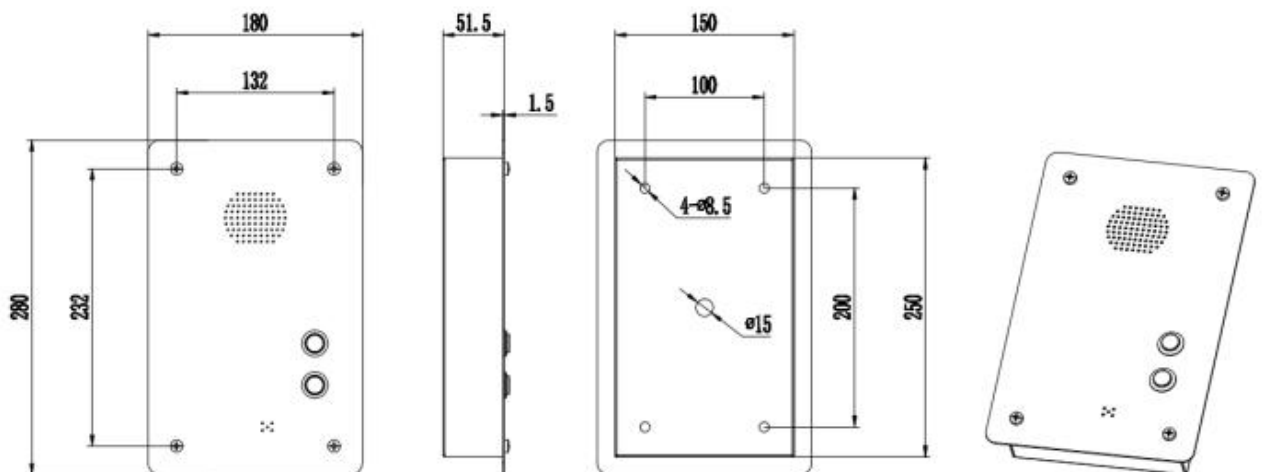


Features

1. SIP version available.
2. Robust housing, constructed of 304 stainless steel material.
3. Hands-free Operation.
4. Two Buttons, one for call and the other for answer.
5. Vandal resistant stainless steel keypad.
6. Flush Mounting.
7. Weather proof protection IP65.
8. Connection: RJ11 screw terminal pair cable.
9. Self-made telephone spare part available.
10. CE, FCC, RoHS, ISO9001 compliant



Product Dimensions



Package

Carton size: 530*350*350 (mm)

Packaging materials: Pearl cotton, Carton

Net weight: 3.0 KG

Gross weight: 3.1 KG



Service and Support

Under normal use, non-human damage, free **THREE YEAR WARRANTY**.